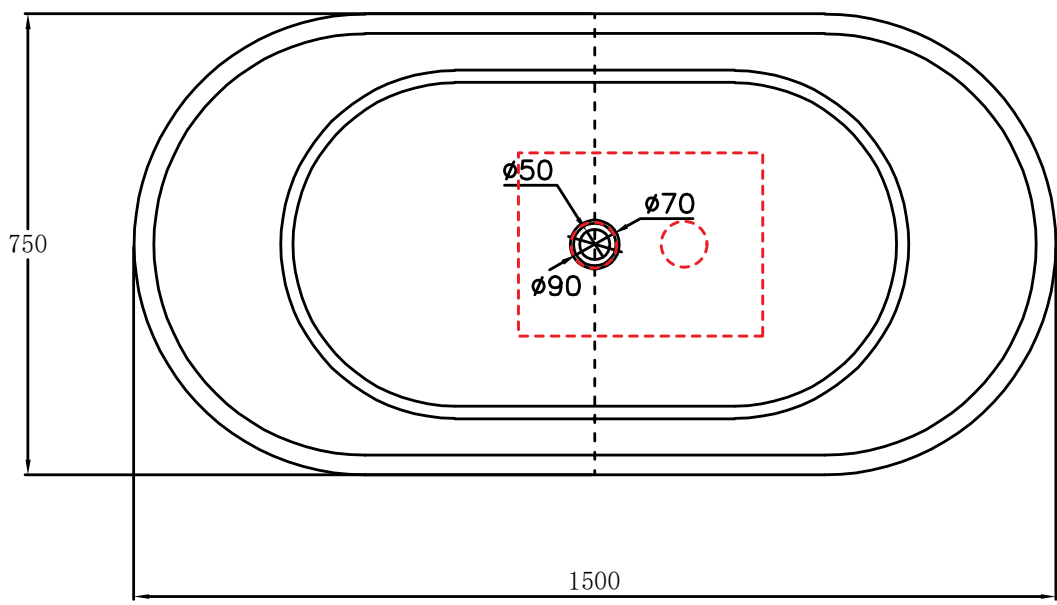
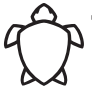


Recess in the floor for the purpose of a bathtub siphon
40x30 cm, depth 12 cm



 <h1>TORTU</h1> <p>BETON bath TUB-5002</p>
<p>L 1500 mm W 750 mm H 520 mm material: concrete weight: 150 kg</p>